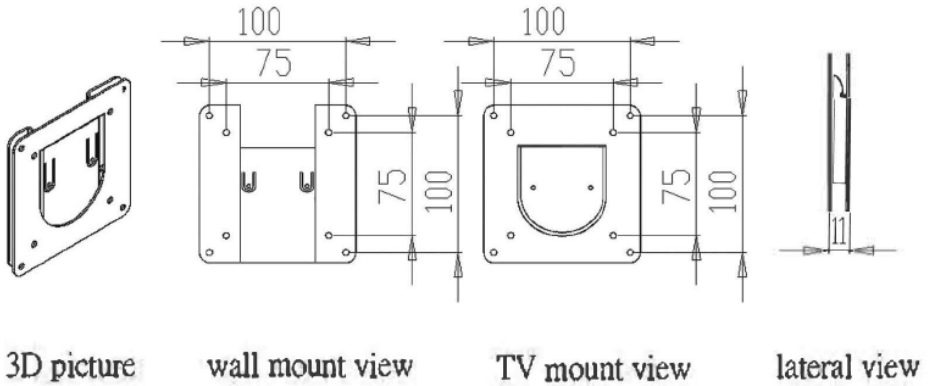


# WM-25 - drawing

Maximum load-bearing:30KG

Mark unit: mm



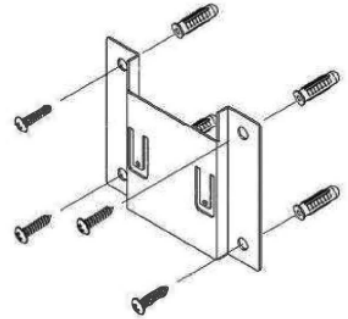
## 10AX Install process:

### Step 1:

Please make sure the thickness of the wall is over 5cm and the material is suitable for installation.

For a wooden wall, please choose wood screws 4pcs .

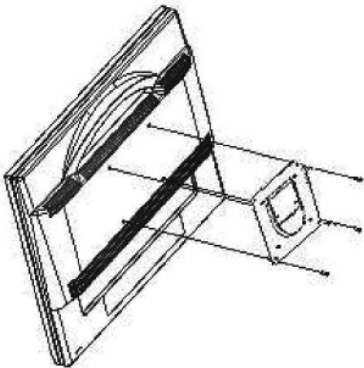
For a concrete wall, please choose wall anchors 4pcs wall Anchor.



### Step 2 :

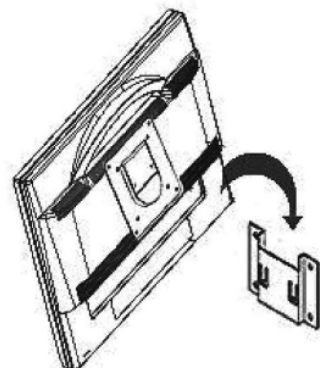
Remove the TV plug before installation.

Use the M4X12 screw to fasten the screen mount.




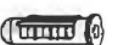

### Step 3 :

Combine the screen mount and the mount of wall and make sure the screen mount fix on the mount of wall.



Patent No:097220034

Invention patent rights reserved

 M4x8 screw-4	 wood screws-4	 Wall Anchor-4
---	--	---

